



WE ARE IB

Collection

IB BOX

Article

INC310

Description

Built-in wall mixer two ways

Box Dimensions

165x90x85 mm

Weight

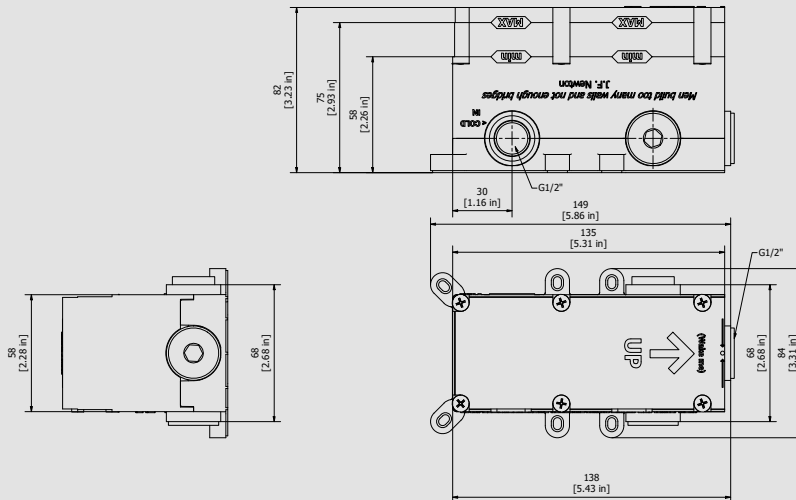
1.1 kg

Finishes

- CC**
CHROME
- PL**
PLATINUM
- SS**
BRUSHED
NICKEL
- ON**
NATURAL
BRASS
- BO**
MATT
WHITE
- NP**
MATT
BLACK
- CF**
BLACK
CHROME
- CS**
BRUSHED
BLACK
CHROME
- II**
PALE
GOLD
- IS**
BRUSHED
PALE GOLD
- RS**
ROSE
GOLD
- SR**
BRUSHED
ROSE GOLD
- OO**
GOLD
- OS**
BRUSHED
GOLD
- RR**
ANTIQUÉ
COPPER
- BB**
ANTIQUÉ
BRONZE



Dimensions



Cartridge

Threaded fitting

Treaded fitting G1/2" female

Aerator

Flow Rate (+/-10%)

1 BAR	2 BAR	3 BAR
10.4 l\m	14.7 l\m	18 l\m

Production

Main body is a single hot stamped pieces

Material

BRASS
According to CuZn42 (CW510L)
Max Lead content:0.2%

IB RUBINETTERIE s.p.a
via dei Pianotti 3/5
25068 Sarezzo (BS) - Italy -

T. +39 030 802101
F. +39 030 803097
info@weareib.it

P.IVA 01785230986
capitale sociale
€420.000,00 i.v.

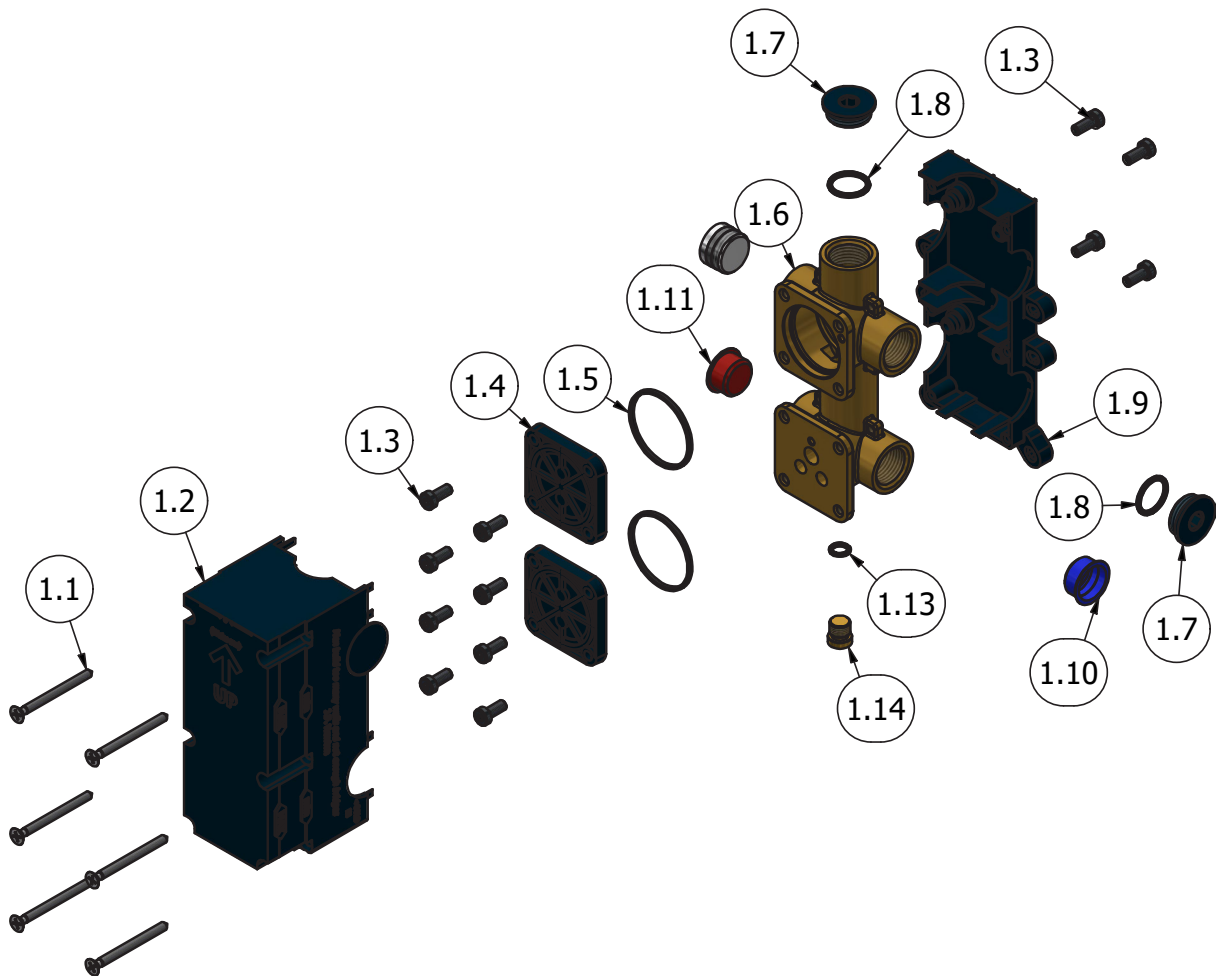
www.weareib.it





WE ARE IB

Parts list				
ITEMS	CODE	DESCRIPTION	FIN	QTÀ
1	CP310XX2-22	Preassembled recessed 310 universal	-	1
1.1	AQ0010626	Inox screw Ø4 L50	-	6
1.2	AQ0015711	Upper box 312 310	-	1
1.3	AQ0015707	Screw DIN 7984 m5x12 TCEI Ø8.5	-	12
1.4	AQ0017083	Square cap 48x48 H6 PA66-30	-	2
1.5	AQ0017090	Silicone Gasket Ø40.3 Ø37.3 H2	-	2
1.6	CT0002503	Recessed body 3 ways	G	1
1.7	AQ0017128	Plug G1/2M H8.3	-	2
1.8	AQ0009338	OR 16x2 N BR 70 SH	-	2
1.9	AQ0015721	Lower box 310 312	-	1
1.10	AQ0014538	Blu thread's protecting cap Ø19	-	1
1.11	AQ0014537	Red thread's protecting cap Ø19	-	1
1.12	AQ0014617	Plug G1/2" short	-	1
1.13	AQ0001330	OR 6.75x1.78 NBR 70 SH	-	1
1.14	AS0010770	Plug M10x1 H12	G	1





WE ARE IB

WARRANTY

All IB Rubinetterie SpA products are warranted for 10 years from the date of purchase, for the following cases:

- Defects of casting, porosity and chrome plating.
- Operating defects caused by incorrect fabrication.

The warranty provides for repair or replacement of products with fabrication defects recognized by our technical office. There is no other type of compensation anche the merchandise must be returned FOB our warehouse. The warranty only cover surface defects (scartches, dings, etc.) on fitting that have not been installed and used, returned in its original packaging with all components. O-ring, gasket seals and components subject to wear proportional to use are warranted for 2 years.

The warranty is void in the following cases:

Error installing and putting the product into service.

Deterioration of finished surfaces due to use of cleaning products containing acids or abrasive substances. Deterioration of surface with finishes other than chrome plating. Their durability is, in fact, dependent on the user's care and gentleness of use.

Deterioration of the fitting due incorrect installation.

Improper repairs and maintenance performed without the company's prior authorization.

The warranty from IB Rubinetterie SpA is not renewable.

Cleaning

We recommended cleaning the finish surfaces with water and soap, using a soft cloth.

Do not use detergents that contain hydrochloric acid or abrasive substances.